

---

**ATTACHMENT OF CLAY OR CONCRETE “S” ROOF TILE–2019 CBC**

---

**Disciplines:** Structural**History:** Revised 02/08/20 under 2019 CBC  
Last revised 01/12/11 under prior CBCs  
Original issue 09/01/99

Division of the State Architect (DSA) documents referenced within this publication are available on the [DSA Publications](#) webpage.

**PURPOSE:** This Interpretation of Regulations (IR) provides guidelines for code-compliant installation of “S” roof tiles on construction projects under DSA’s jurisdiction.

**Note:** This IR is not applicable to roof tiles with an interlocking channel, and it is limited to maximum allowable stress design wind speed of 85 mph, and maximum mean roof height of 60 feet.

**GENERAL:** Clay or concrete “S” roof tile attachments are acceptable as shown on attached Figure 1A. For additional requirements, refer to California Building Code (CBC) Sections 1507.3 and 1513 and Table 1507.3.7.

Alternatively, clay or concrete “S” roof tile attachments meeting the requirements of *IR 15-2: Clay and Concrete Roof Tile Materials and Application*, are acceptable.

**INSPECTION:** The project inspector must provide continuous inspection of the attachment of the roof tile. No installation of roof tiles may be started without DSA-approved plans and details, including any contractor substitutions of roof tile systems.

---

**REFERENCES:**

- 2019 California Code of Regulations (CCR) Title 24  
Part 2: California Building Code (CBC), Sections 1507.3 and 1513

---

This IR is intended for use by the DSA staff and by design professionals to promote statewide consistency for review and approval of plans and specifications as well as construction oversight of projects within the jurisdiction of DSA, which includes State of California public schools (K–12), community colleges and state-owned or state-leased essential services buildings. This IR indicates an acceptable method for achieving compliance with applicable codes and regulations, although other methods proposed by design professionals may be considered by DSA.

This IR is subject to revision at any time. Please check DSA’s website for currently effective IRs. Only IRs listed on the webpage at <https://www.dgs.ca.gov/dsa/publications> at the time of project application submittal to DSA are considered applicable.

ATTACHMENT OF CLAY OR CONCRETE "S" ROOF TILE-2019 CBC

Fig. 1A

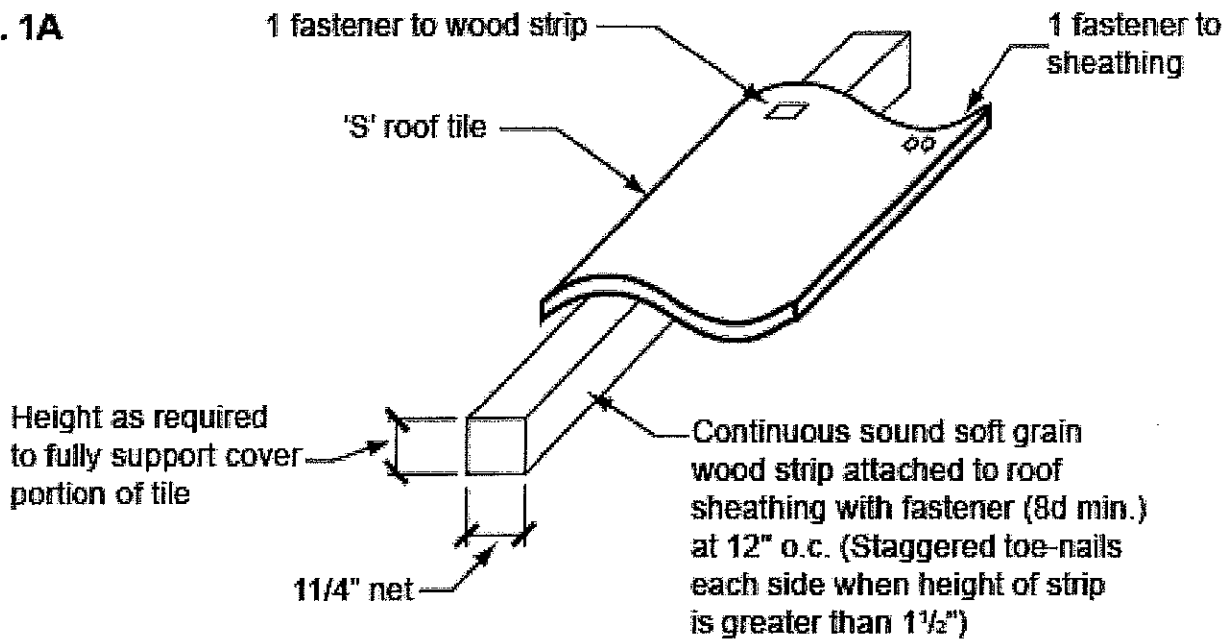


Fig. 1B

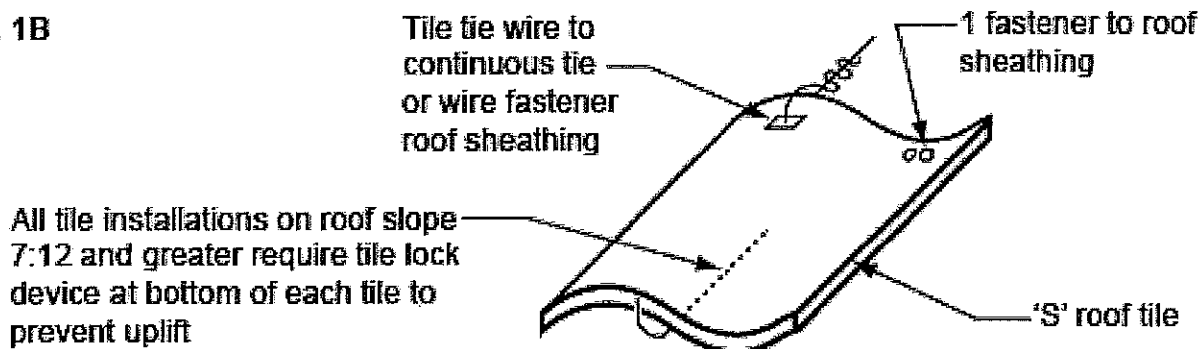


Fig. 1C

