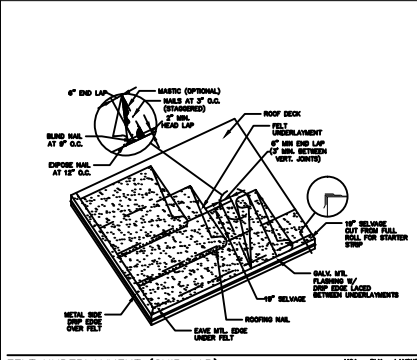
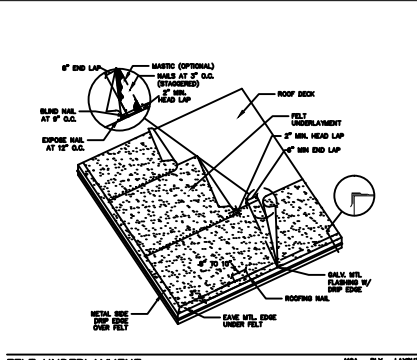


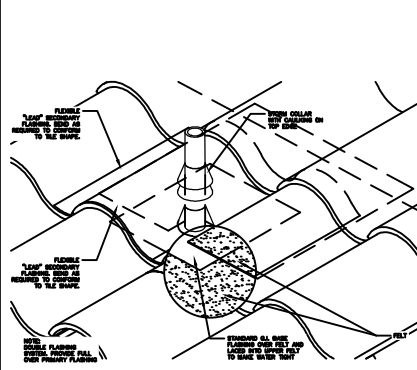
ROOF AREAS (FLASHING IDENTIFICATION) MCA - ROOF AREA - IDENTIFIED R.T.E.



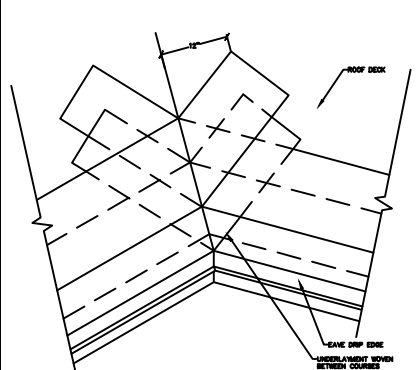
FELT UNDERLAYMENT (SHIP LAP) MCA - FELT - LAYOUT R.T.E.



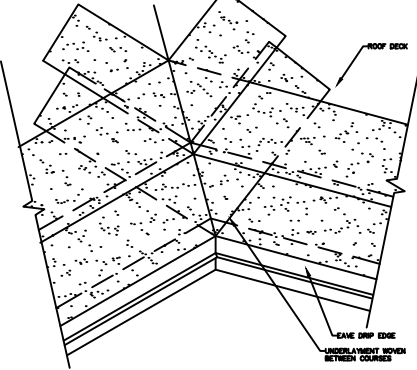
FELT UNDERLAYMENT MCA - FELT - LAYOUT R.T.E.



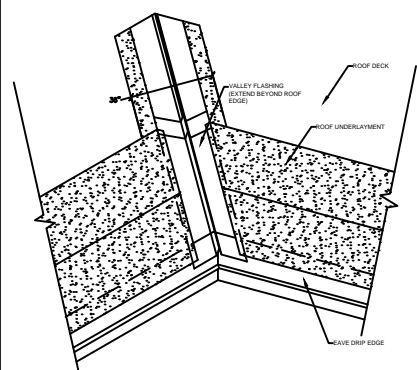
PLUMBING VENT FLASHING MCA - FLASH - PPS 3\"/>



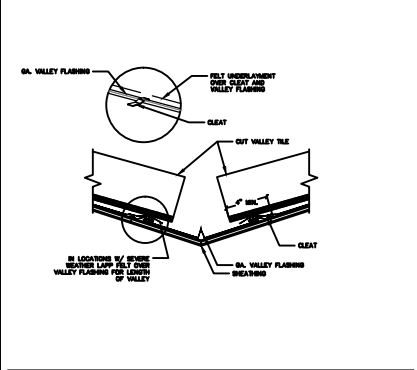
VALLEY UNDERLAYMENTS (SHIP LAP) MCA - VALLEY - UNDERLAYMENT 3\"/>



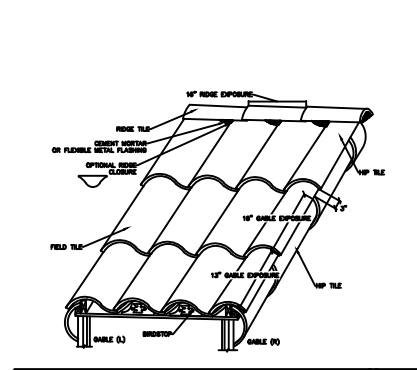
VALLEY UNDERLAYMENT MCA - VALLEY - UNDERLAYMENT 3\"/>



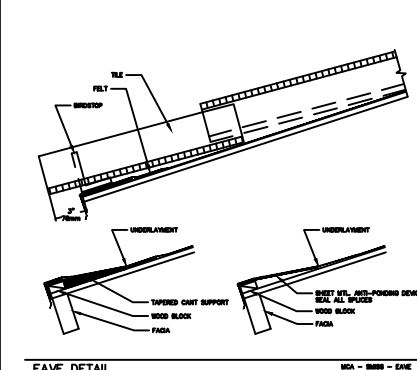
VALLEY UNDERLAYMENT MCA - VALLEY - UNDERLAYMENTS 3\"/>



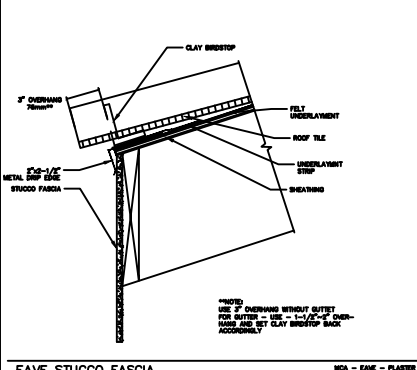
SECTION AT VALLEY MCA - WALL - PLASTER 3\"/>



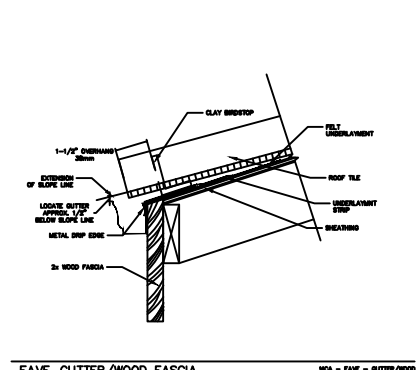
FIELD DETAIL MCA - TILE FIELD - UNDERLAYMENT R.T.E.



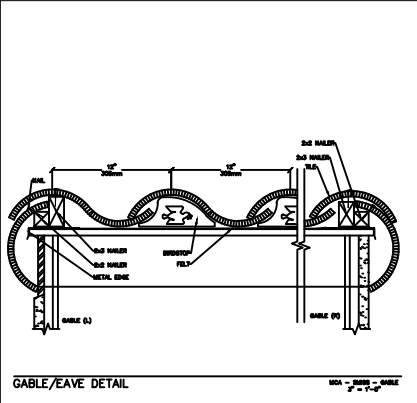
EAVE DETAIL MCA - EAVE - EAVE 3\"/>



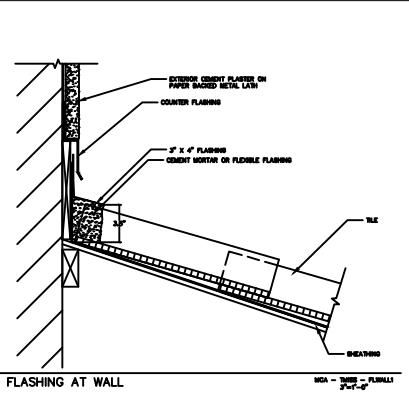
EAVE STUCCO FASCIA MCA - EAVE - PLASTER 3\"/>



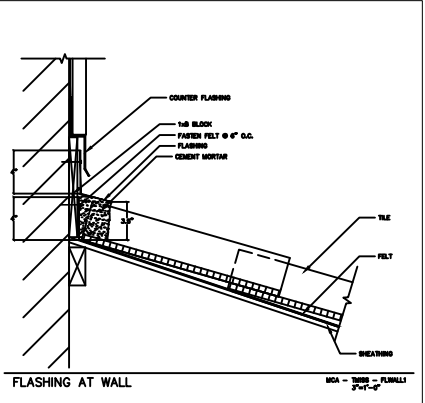
EAVE-GUTTER/WOOD FASCIA MCA - EAVE - GUTTER/WOOD 3\"/>



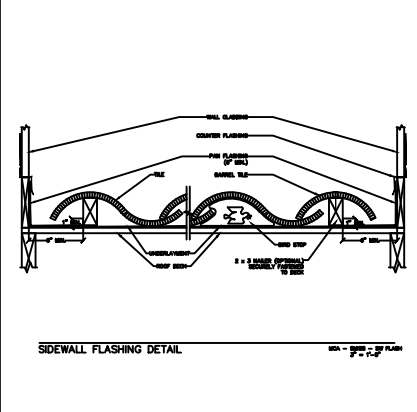
GABLE/EAVE DETAIL
MCA - 2000 - GABLE
2'-7\"/>



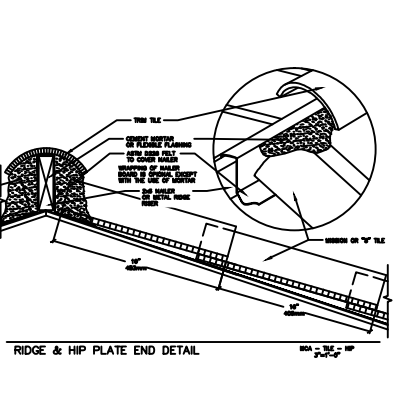
FLASHING AT WALL
MCA - 2000 - FLASH WALL
2'-7\"/>



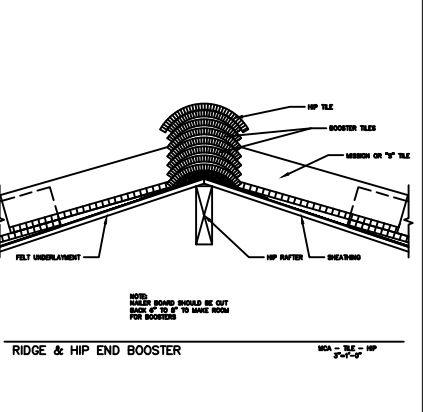
FLASHING AT WALL
MCA - 2000 - FLASH WALL
2'-7\"/>



SIDEWALL FLASHING DETAIL
MCA - 2000 - SIDE FLASH
2'-7\"/>

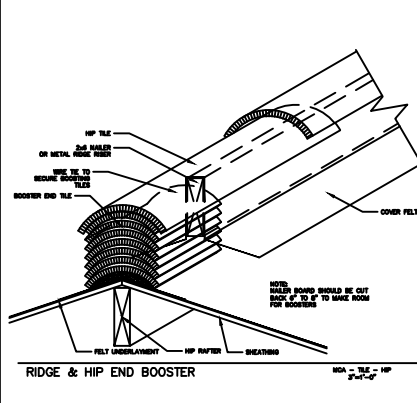


RIDGE & HIP PLATE END DETAIL
MCA - 2000 - HIP
2'-7\"/>

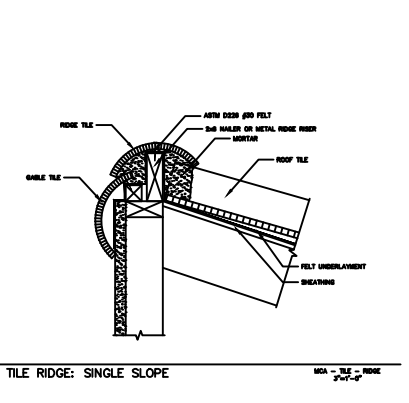


NOTE: SHEATH BOARD SHOULD BE CUT BACK 6\"/>

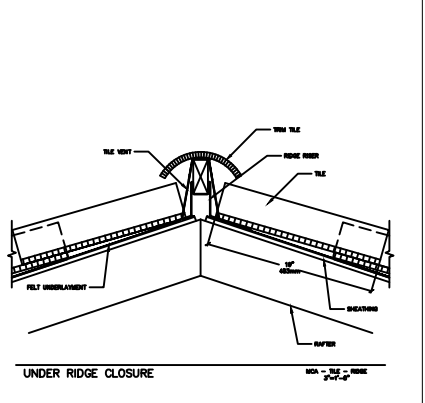
RIDGE & HIP END BOOSTER
MCA - 2000 - HIP
2'-7\"/>



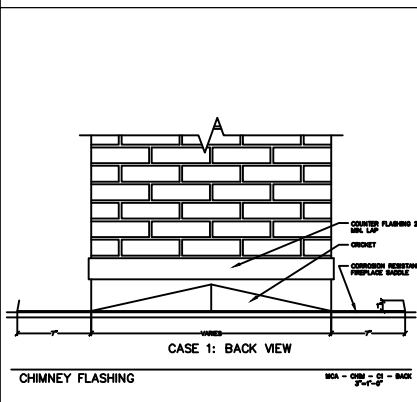
RIDGE & HIP END BOOSTER
MCA - 2000 - HIP
2'-7\"/>



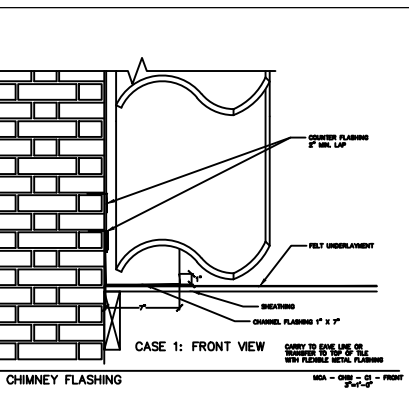
TILE RIDGE: SINGLE SLOPE
MCA - 2000 - RIDGE
2'-7\"/>



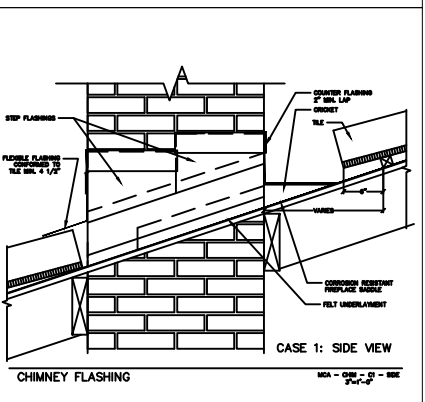
UNDER RIDGE CLOSURE
MCA - 2000 - RIDGE
2'-7\"/>



CHIMNEY FLASHING
MCA - 0200 - C1 - BACK
2'-7\"/>



CHIMNEY FLASHING
MCA - 0200 - C1 - FRONT
2'-7\"/>



CHIMNEY FLASHING
MCA - 0200 - C1 - SIDE
2'-7\"/>

