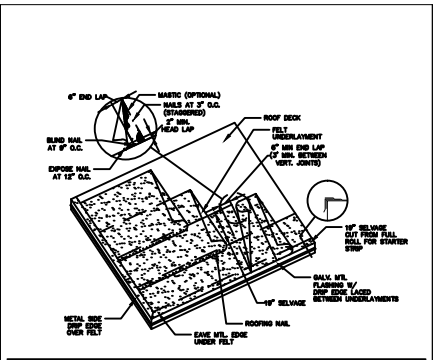
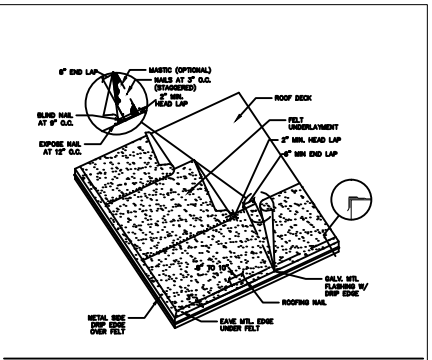


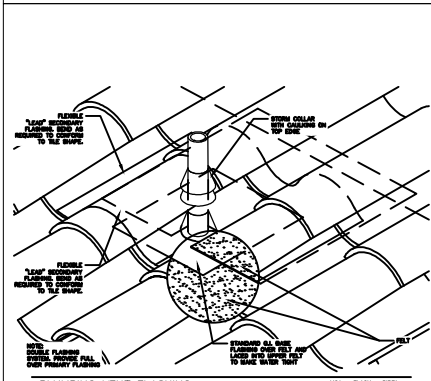
ROOF AREAS (FLASHING IDENTIFICATION) MCA - ROOF AREA - IDENTIFIED A.I.E.



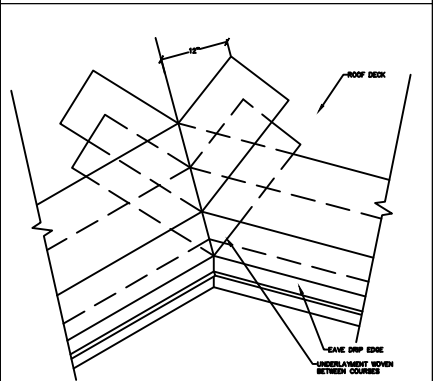
FELT UNDERLAY (SHIP LAP) MCA - FELT - LAYOUT A.I.E.



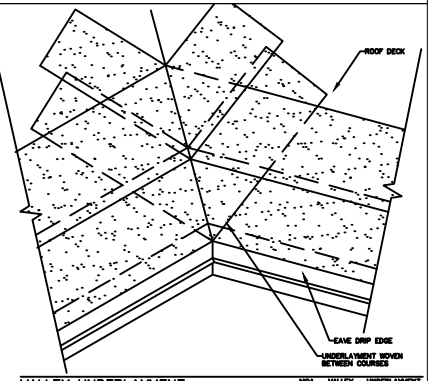
FELT UNDERLAYMENT MCA - FELT - LAYOUT 3'-1'-0"



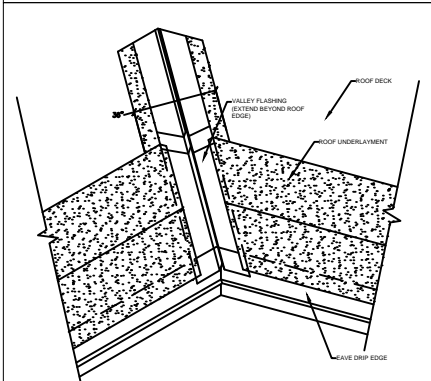
PLUMBING VENT FLASHING MCA - FLASH - PPH 3'-1'-0"



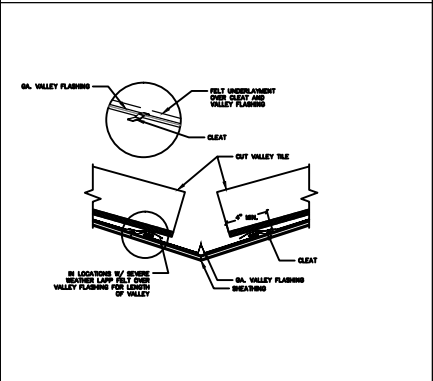
VALLEY UNDERLAYMENTS (SHIP LAP) MCA - VALLEY - UNDERLAYMENT 3'-1'-0"



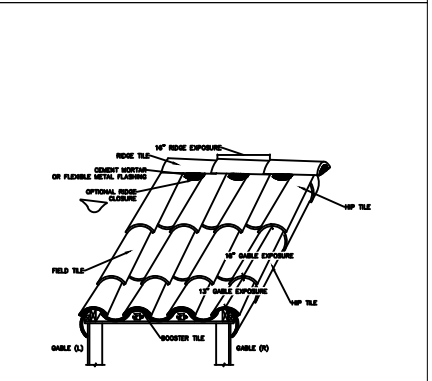
VALLEY UNDERLAYMENT MCA - VALLEY - UNDERLAYMENT 3'-1'-0"



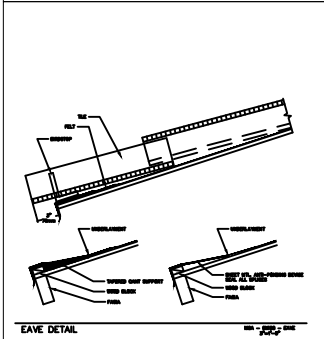
VALLEY UNDERLAYMENT MCA - VALLEY - UNDERLAYMENTS 3'-1'-0"



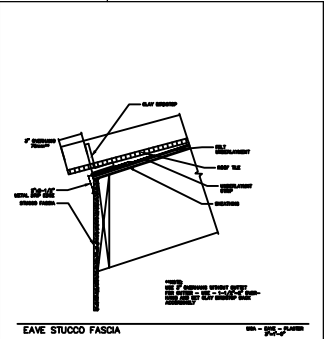
SECTION AT VALLEY MCA - SEAL - FLASHER 3'-1'-0"



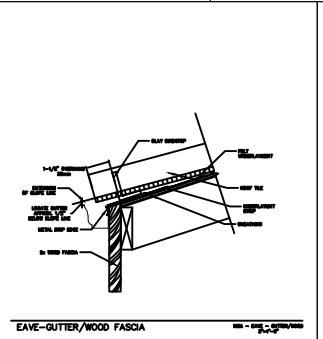
FIELD DETAIL MCA - CLASSIC TYPED - OVERALL A.I.E.



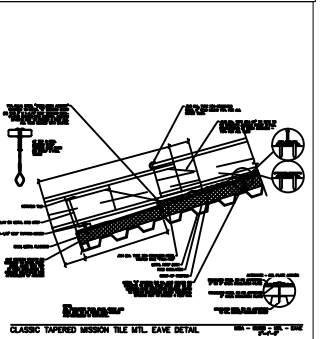
EAVE DETAIL MCA - PPH - 3'-1'-0"



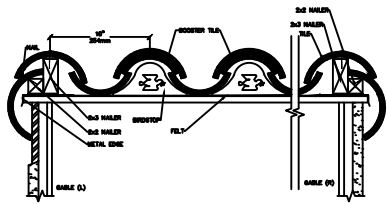
EAVE STUCCO FASCIA MCA - PPH - 3'-1'-0"



EAVE-GUTTER/WOOD FASCIA MCA - PPH - 3'-1'-0"

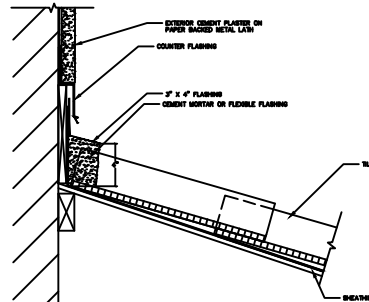


CLASSIC TAPERED MISSION TILE MTL EAVE DETAIL MCA - PPH - 3'-1'-0"



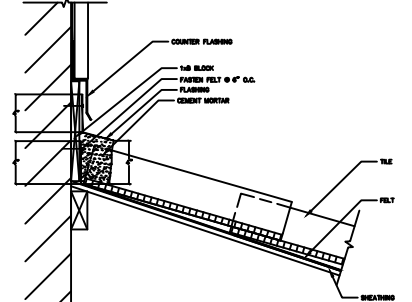
GABLE/EAVE DETAIL

SCA - 2002.2 - 2002.2



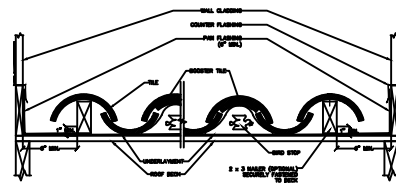
FLASHING AT WALL

SCA - 2002.2 - 2002.2



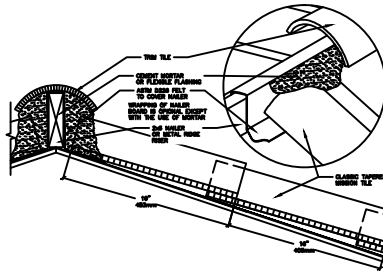
FLASHING AT WALL

SCA - 2002.2 - 2002.2



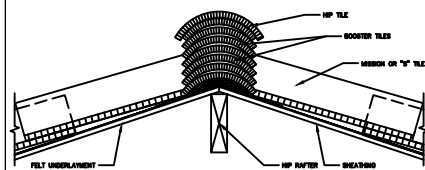
SIDEWALL FLASHING DETAIL

SCA - 2002.2 - 2002.2



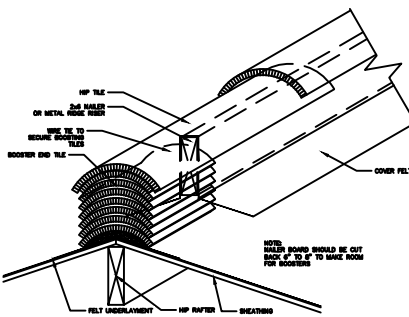
RIDGE & HIP PLATE END DETAIL

SCA - 2002.2 - 2002.2



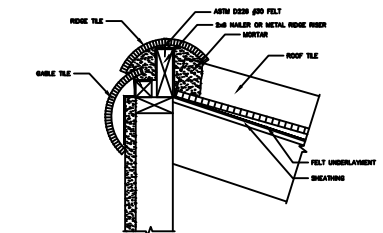
RIDGE & HIP END BOOSTER

SCA - 2002.2 - 2002.2



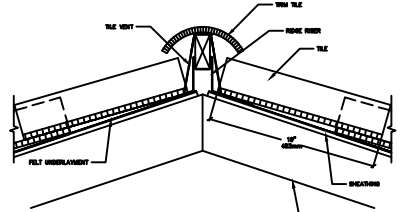
RIDGE & HIP END BOOSTER

SCA - 2002.2 - 2002.2



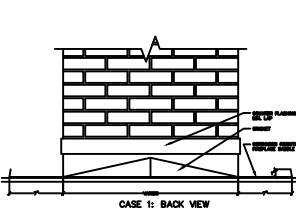
TILE RIDGE: SINGLE SLOPE

SCA - 2002.2 - 2002.2



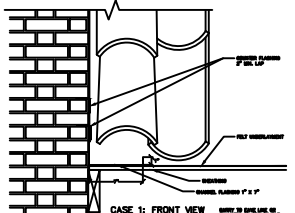
UNDER RIDGE CLOSURE

SCA - 2002.2 - 2002.2



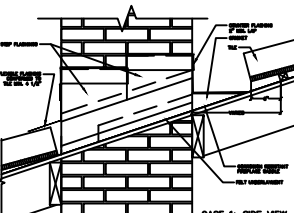
CHIMNEY FLASHING

SCA - 2002.2 - 2002.2



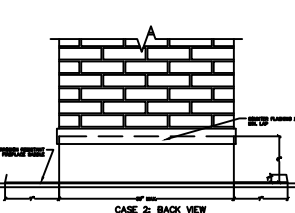
CHIMNEY FLASHING

SCA - 2002.2 - 2002.2



CHIMNEY FLASHING

SCA - 2002.2 - 2002.2



CHIMNEY FLASHING

SCA - 2002.2 - 2002.2

