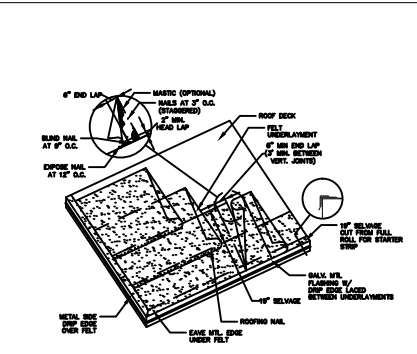
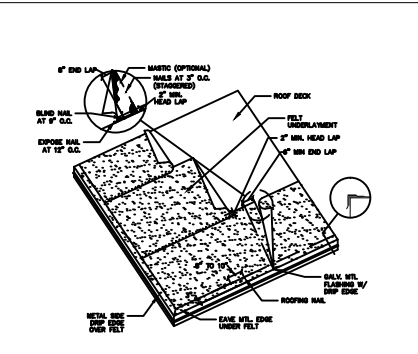


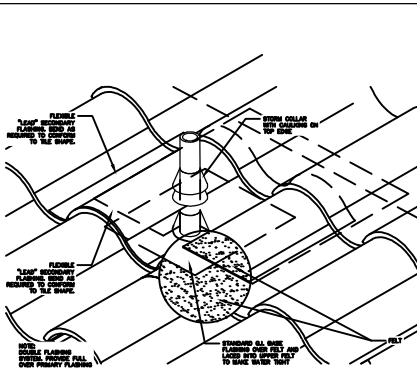
ROOF AREAS (FLASHING IDENTIFICATION) MCA - ROOF AREA - IDENTIFIED R.T.E.



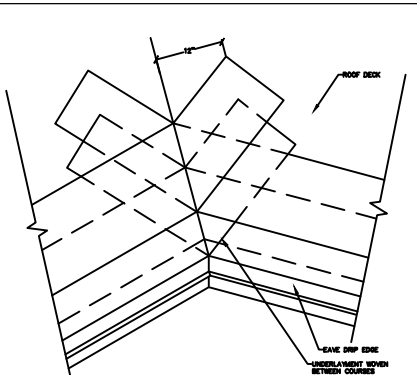
FELT UNDERLAYMENT (SHIP LAP) MCA - FELT - LAYOUT R.T.E.



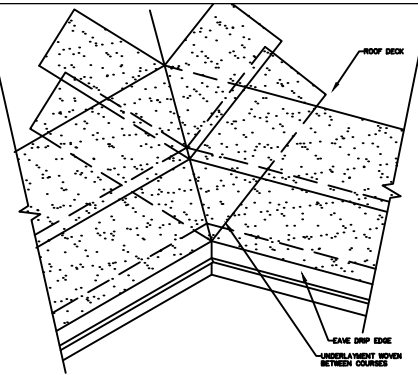
FELT UNDERLAYMENT MCA - FELT - LAYOUT R.T.E.



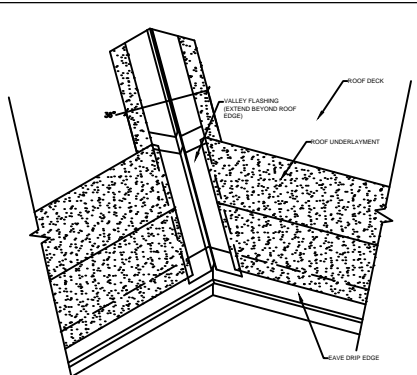
PLUMBING VENT FLASHING MCA - FLASH - PPS R.T.E.



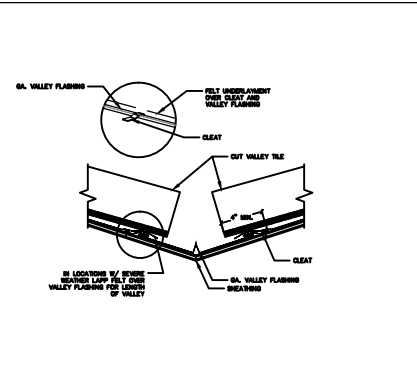
VALLEY UNDERLAYMENTS (SHIP LAP) MCA - VALLEY - UNDERLAYMENT R.T.E.



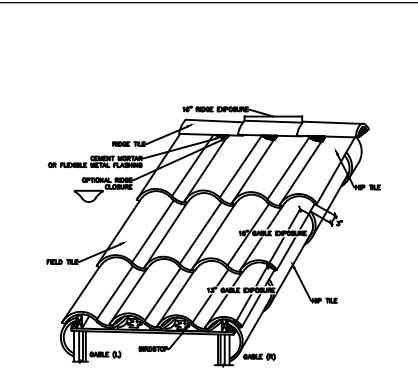
VALLEY UNDERLAYMENT MCA - VALLEY - UNDERLAYMENT R.T.E.



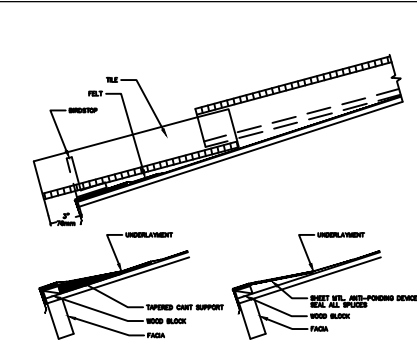
VALLEY UNDERLAYMENT MCA - VALLEY - UNDERLAYMENTS R.T.E.



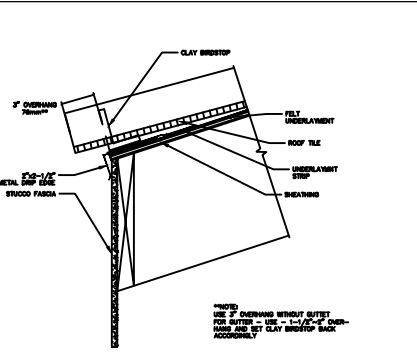
SECTION AT VALLEY MCA - WALL - PLASTER R.T.E.



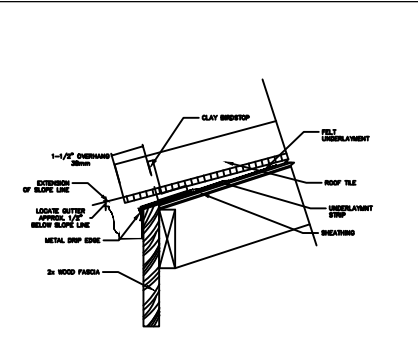
FIELD DETAIL MCA - ONE FIELD - DOUBLE R.T.E.



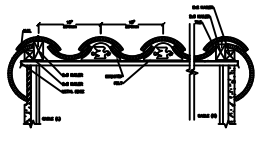
EAVE DETAIL MCA - EAVE - GUTTER R.T.E.



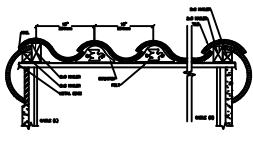
EAVE STUCCO FASCIA MCA - EAVE - PLASTER R.T.E.



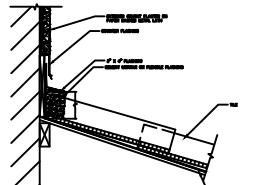
EAVE-GUTTER/WOOD FASCIA MCA - EAVE - GUTTER/WOOD R.T.E.



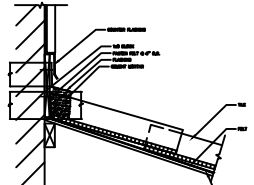
SIDELAP DETAIL  
WOODEN DECK  
MCA - 020 - 01 - 01 - 01  
2 1/2" x 4"



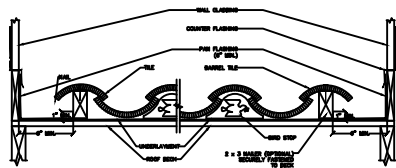
SIDELAP DETAIL  
METAL DECK  
MCA - 020 - 01 - 01 - 02  
2 1/2" x 4"



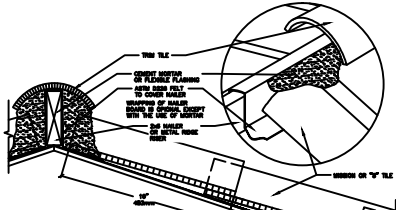
FLASHING AT WALL  
MCA - 020 - 01 - 01 - 03  
2 1/2" x 4"



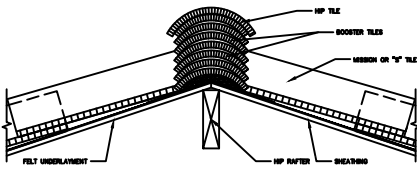
FLASHING AT WALL  
MCA - 020 - 01 - 01 - 04  
2 1/2" x 4"



SIDEWALL FLASHING DETAIL  
MCA - 020 - 01 - 01 - 05  
2 1/2" x 4"

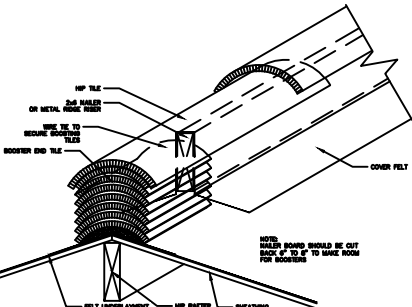


RIDGE & HIP PLATE END DETAIL  
MCA - 020 - 01 - 01 - 06  
2 1/2" x 4"



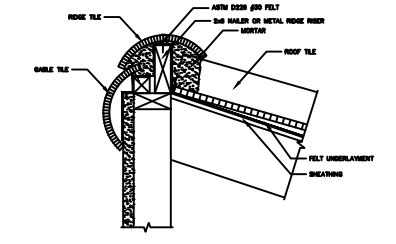
RIDGE & HIP END BOOSTER  
MCA - 020 - 01 - 01 - 07  
2 1/2" x 4"

NOTE: SHEATH BOARD SHOULD BE CUT BACK 1/2" TO 1" TO MAKE ROOM FOR BOOSTER

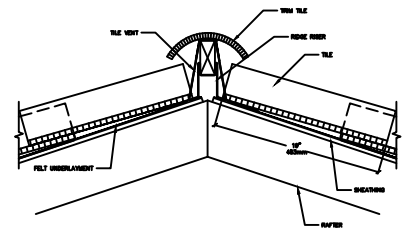


RIDGE & HIP END BOOSTER  
MCA - 020 - 01 - 01 - 08  
2 1/2" x 4"

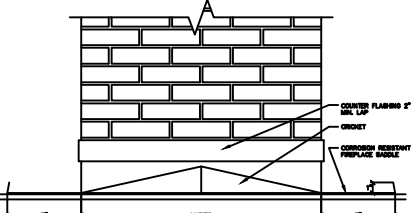
NOTE: SHEATH BOARD SHOULD BE CUT BACK 1/2" TO 1" TO MAKE ROOM FOR BOOSTER



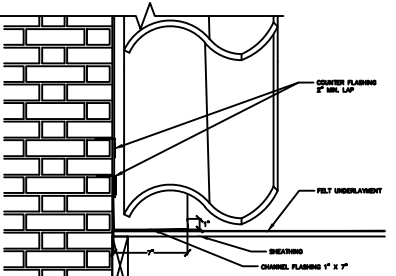
TILE RIDGE: SINGLE SLOPE  
MCA - 020 - 01 - 01 - 09  
2 1/2" x 4"



UNDER RIDGE CLOSURE  
MCA - 020 - 01 - 01 - 10  
2 1/2" x 4"

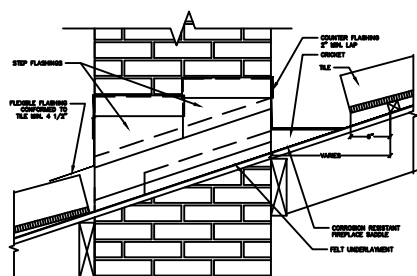


CHIMNEY FLASHING  
CASE 1: BACK VIEW  
MCA - 020 - 01 - 01 - 11  
2 1/2" x 4"



CHIMNEY FLASHING  
CASE 1: FRONT VIEW  
MCA - 020 - 01 - 01 - 12  
2 1/2" x 4"

NOTE: TO SEE LINE OF ROOFING TO TOP OF TILE, SEE FLASHER DETAIL FLASHING



CHIMNEY FLASHING  
CASE 1: SIDE VIEW  
MCA - 020 - 01 - 01 - 13  
2 1/2" x 4"

